



www.gapigroup.com

GAPIS.p.A. via Molinaretti, 2 | 24060 Castelli Calepio (BG) Italy ph +390307438511 fax +390307438550 sales@gapigroup.com

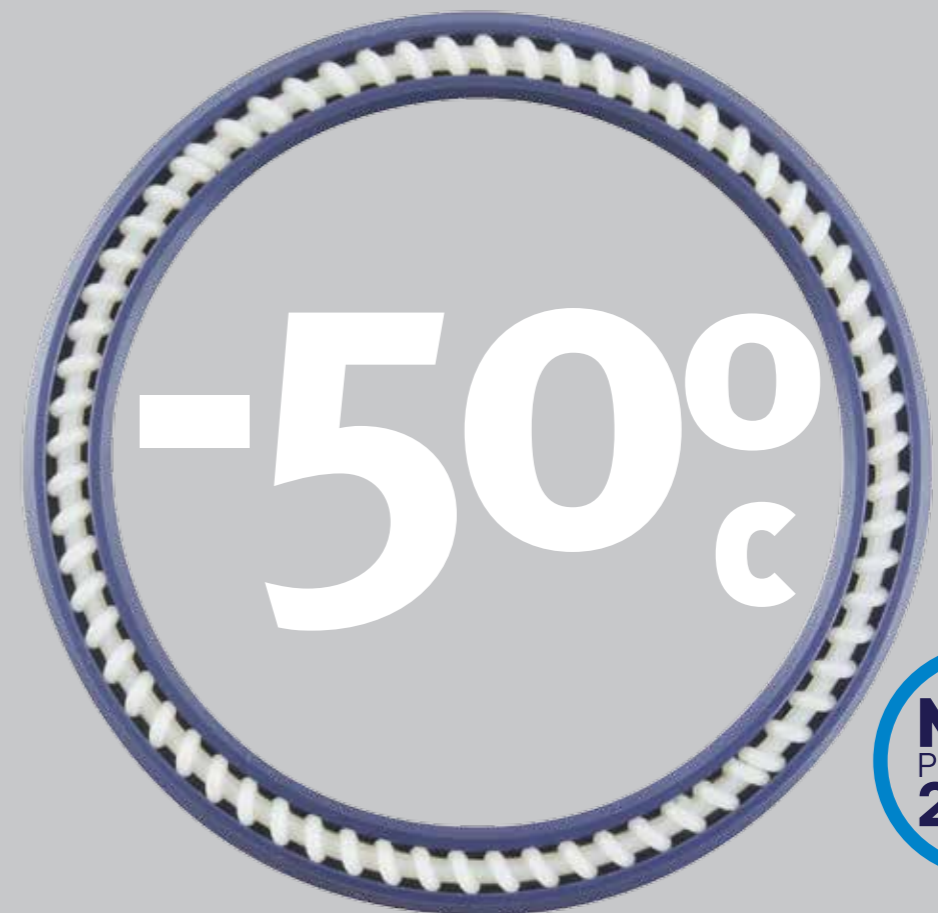
GAPI USA Inc.
300 Huls Drive,
Englewood
Ohio, OH 45315, U.S.A.
ph +1 (937) 836-0080
800 442 8030
fax +1 (937) 836-7499
gapi@gapiusa.com

GAPI GmbH
Hans Böckler Str. 14
Postfach 200265 - 51503
Rösrath - D
ph +49 (02205) 90494-0
fax +49 (02205) 90494-33
verkauf@gapi.de

GAPI Ltd
Centurion Business Park
Bessemer Way
Templeborough - Rotherham
Sheffield - S60 1 FB - UK
ph +44 (01709) 378 181
fax +44 (01709) 378 182
sales@gapi.co.uk

Gapi Sealing System S.L.U.
C/ Telecomunicaciones, 21
Polígono Industrial Urtinsa II
28923 Alcorcón (Madrid) - E
ph +34 918517 187
fax +34 918517 195
gapiss@gapiss.es

ALEXANDER SPRING



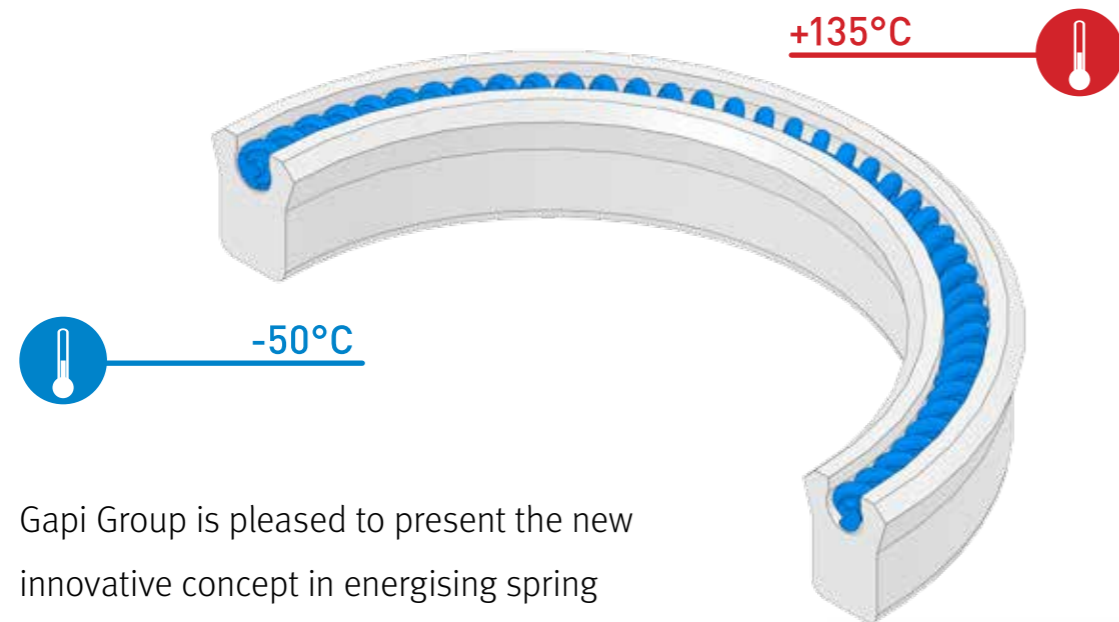
NEW INNOVATIVE SEALING PROFILE
HIGH PERFORMANCE



**Total
Sealing
Solutions**

-50°

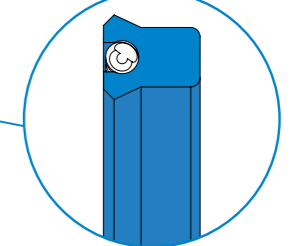
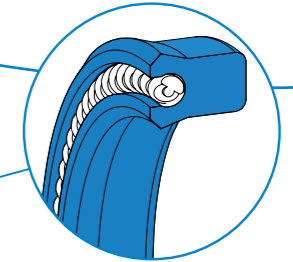
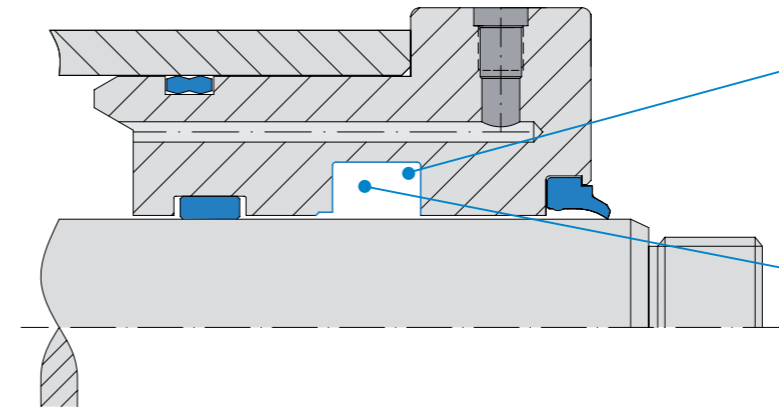
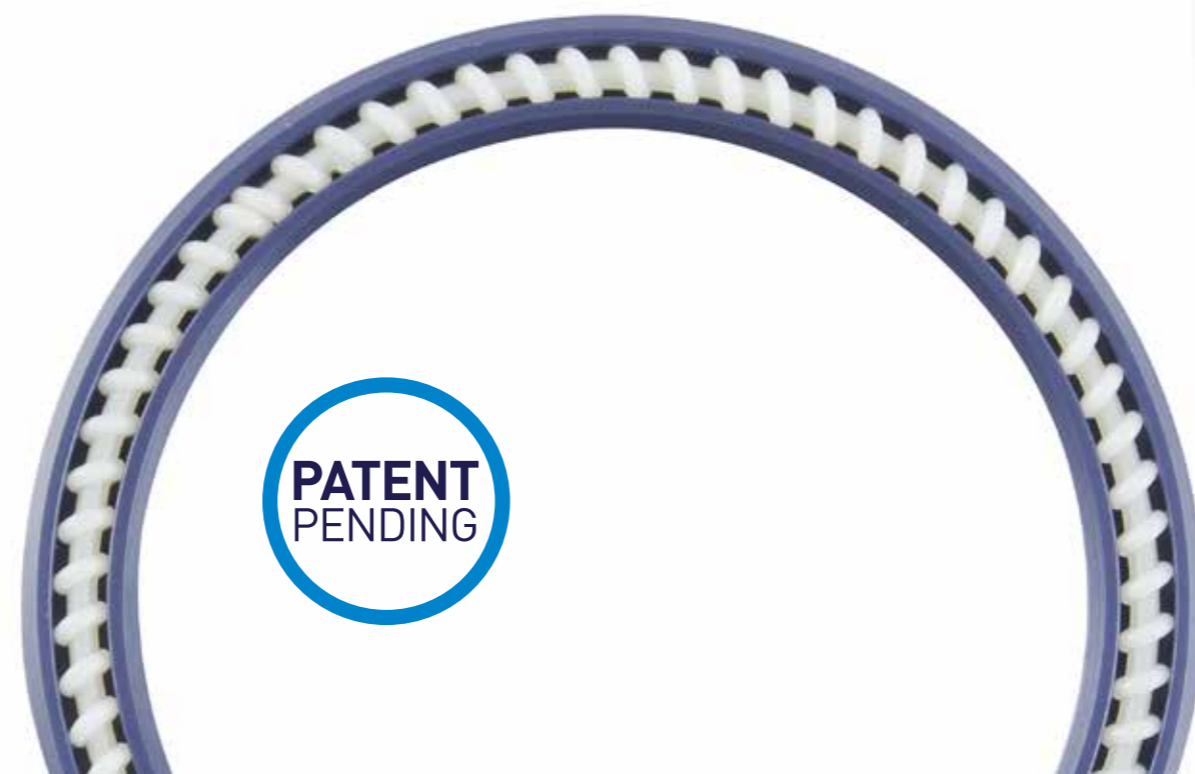
INNOVATIVE PROFILE HIGH PERFORMANCE



Gapi Group is pleased to present the new innovative concept in energising spring for hydraulic rod seals, in very heavy duty applications and extreme climatic conditions:

Alexander Spring replace two energising concepts normally the market has:

- **O rings or Quad seals, in different elastomeric materials (most common solution)**
- **Metal springs (which are normally expensive and slow to produce)**



Thanks to the combination of the correct Polyurethane and the Alexander Spring, we can ensure a high performance seal over a wide range of temperatures

- **From -50° up to 90°C** with X1 polyurethane material
- **From -30 up to +135°C** with G1 polyurethane material



Gapi Group R&D is always looking at new innovative solutions, using High Performance materials that can improve production techniques, whilst adding sealing performance, where demanding applications for Mechanical and Temperatures exist and solutions need to be found.